

Under Cabinet/Counter Power and Low Voltage Device Distribution



Under Cabinet/Counter Boxes provide a convenient, out-of-sight way to distribute power and voice/data. These boxes comply with the NEC® for kitchen receptacles, with placement not more than 20 inches above the counter surface. They can also be placed under counter islands, not lower than 15 inches from the surface.

- Use the new JLOAD® Multimedia Outlet, specifically designed to provide power, Category 5e and coaxial. Perfect for under cabinet TV, DVD and security systems. Enables multiple service in a small area.
- Instead of compromising the decorative look of a granite backsplash or designer tiling, hide receptacles beneath cabinets and counters
- Available with nylon or metal cover
- Custom configurable, accepts any decorator style device
- Mounting hardware included

Under Cabinet/Counter Power Distribution



RU100W

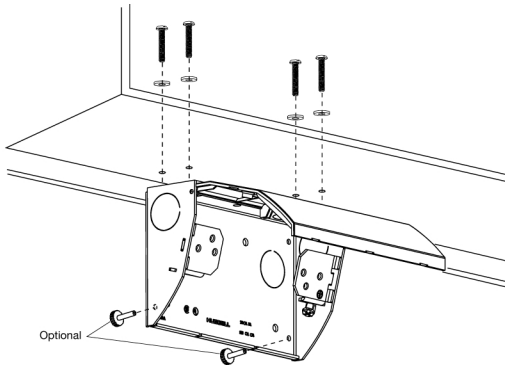


RU200SS

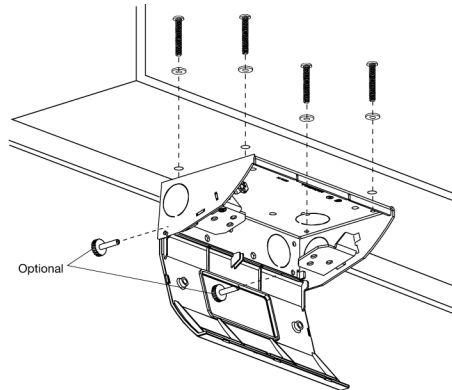
Material	Color	Slim fit box, offers the slimmest, sleekest, most stylish option for low profile, out-of-sight mounting, devices sold separately	GFCI fit box, designed for GFCI or JLOAD® accommodation where internal wiring space is needed, devices sold separately
Stainless Steel	—	RU100SS	RU200SS
Metal	White	RU100W	RU200W
Nylon	White	RU170W*	RU270W*

Note: *Steel box with nylon cover.

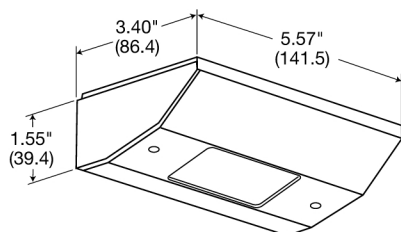
Vertical Mount



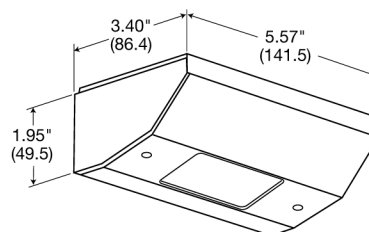
Horizontal Mount



Product Dimensions Inches (mm)



RU100W



RU200SS

NEC® is a registered trademark of the National Fire Protection Association (NFPA).